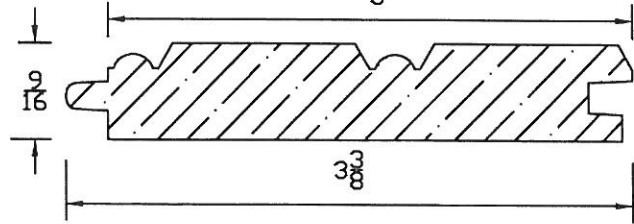


BALSAM MILLWORK PANELING (T.&G.)

PTG4001

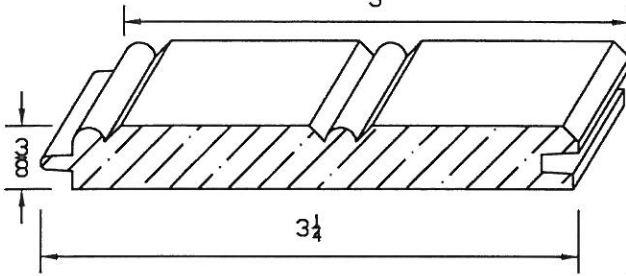
$3\frac{1}{8}$



3-D Profiles are stocked in some species look in stock book for details.

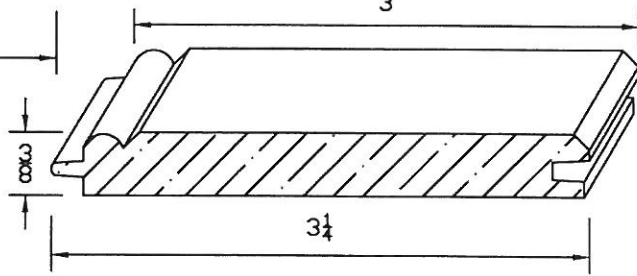
PTG40023.25

3



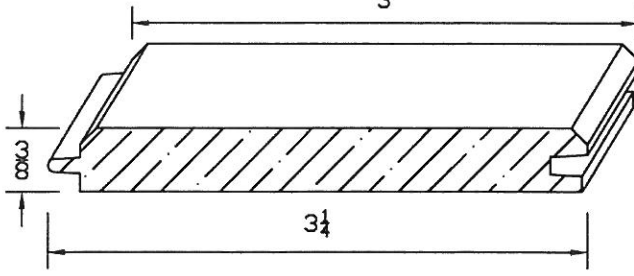
PTG40053.25

3



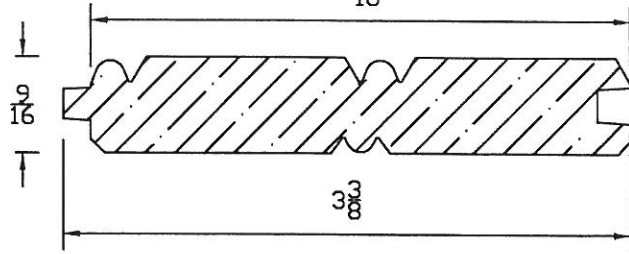
PTG40063.25

3



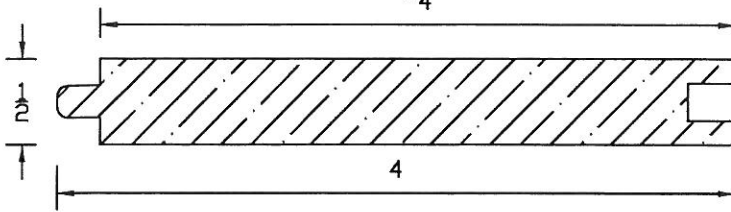
PTG4022

$3\frac{3}{16}$



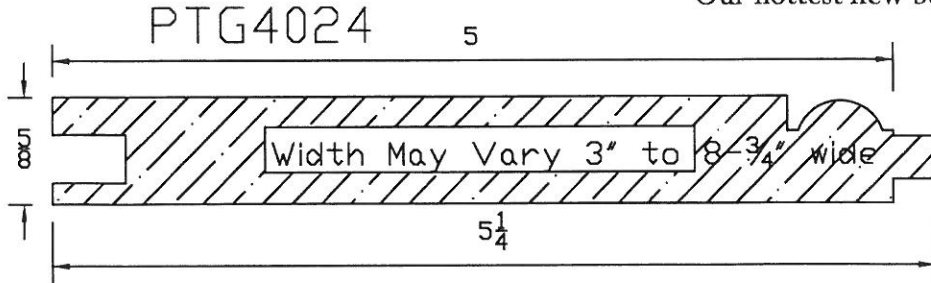
PTG40094.00

$3\frac{3}{4}$

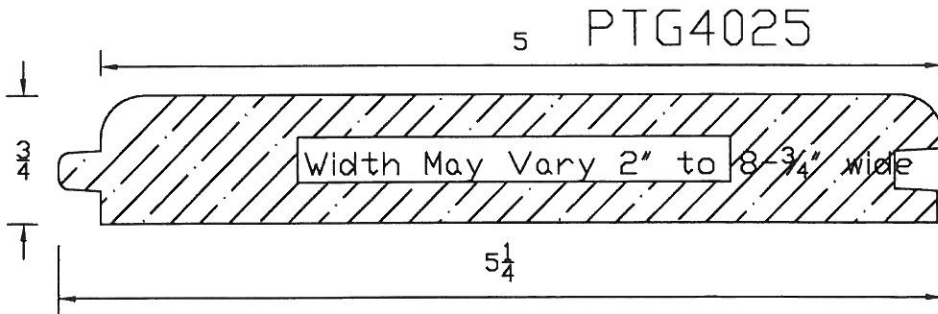
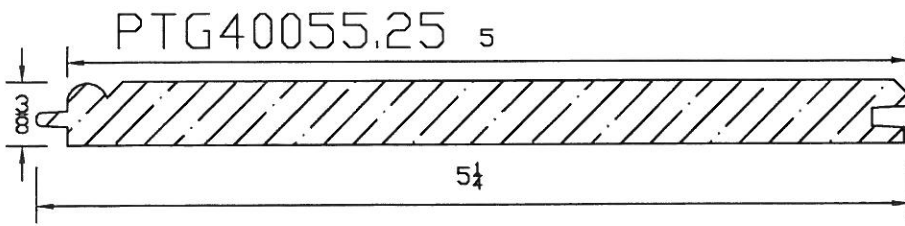
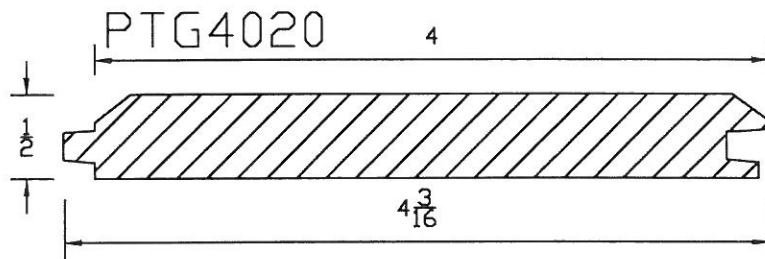
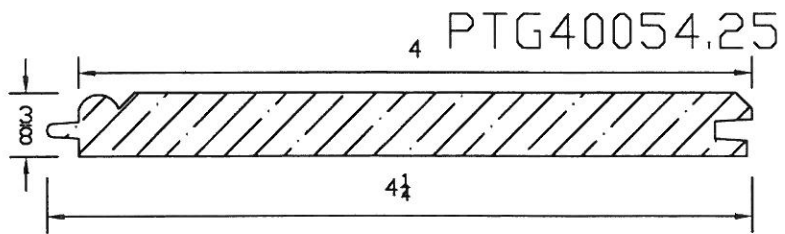


BALSAM MILLWORK PANELING (T.&G.)

Our hottest new bead board paneling



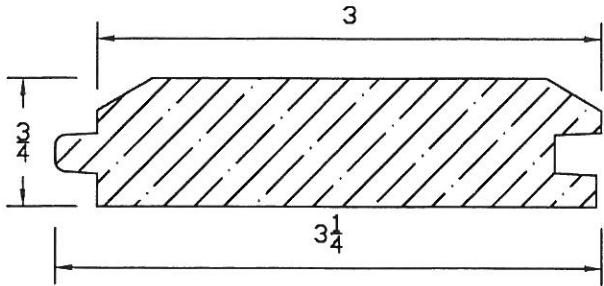
Random face widths for added character



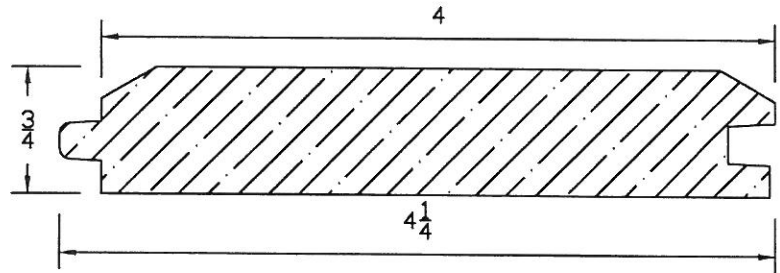
Most paneling can be modified for width and thickness

BALSAM MILLWORK PANELING (T.&G.)

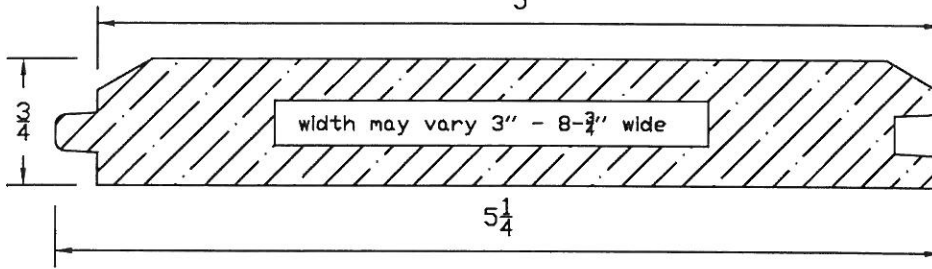
PTG40043.25



PTG40044.25



PTG40045.25



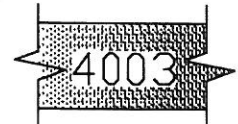
SQ.FT. COVERAGE PER LINEAR FOOT OF MOULDINGS

- 3" Paneling 1' long equals .25 sq. ft.
- 4" Paneling 1' long equals .33 sq. ft.
- 5" Paneling 1' long equals .41 sq. ft.
- 6" Paneling 1' long equals .50 sq. ft.

1000 sq. ft of 3" wide is $1000 \div .25 = 4000$ ln ft

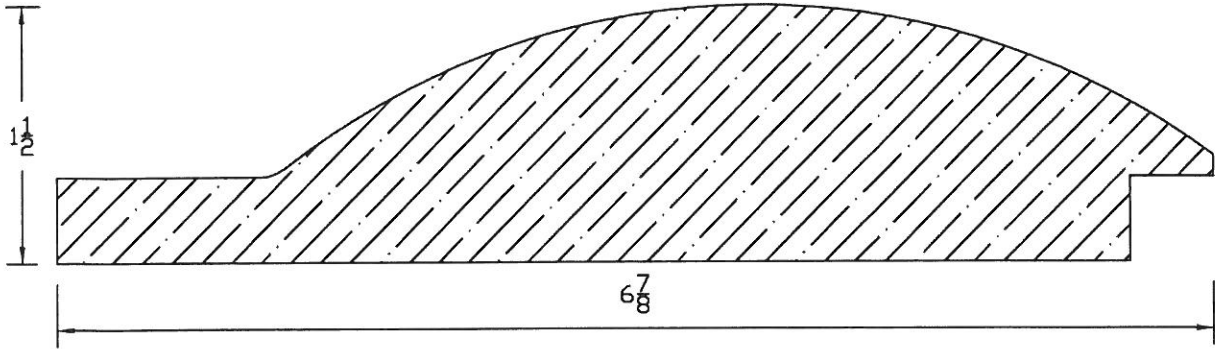
Face width \div by 12" equals face coverage per foot
 Then \div Sq. Ft. of project by coverage per foot

Example 1000 sq ft with 3,5,7 paneling is $15" \div 12" = 1.25$ coverage
 Then $1000 \text{ sq. ft} \div 1.25 = 800$ ln ft of each will cover project

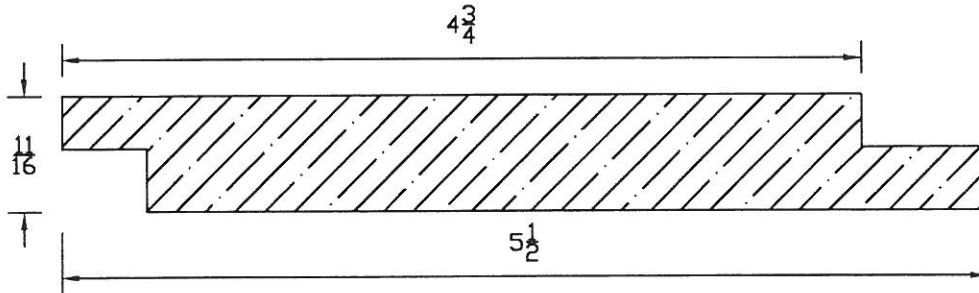


BALSAM MILLWORK PANELING (T.&G.)

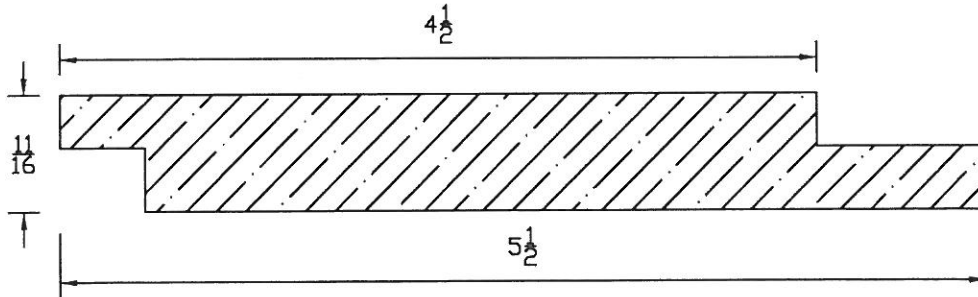
PTG4007



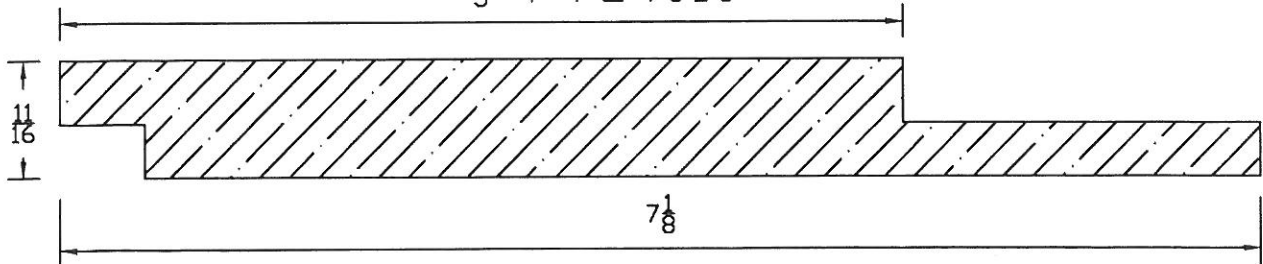
PTG4011



PTG4012

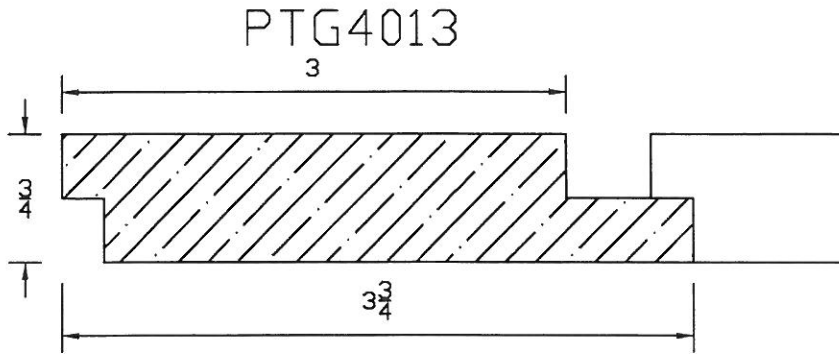


5 PTG4010

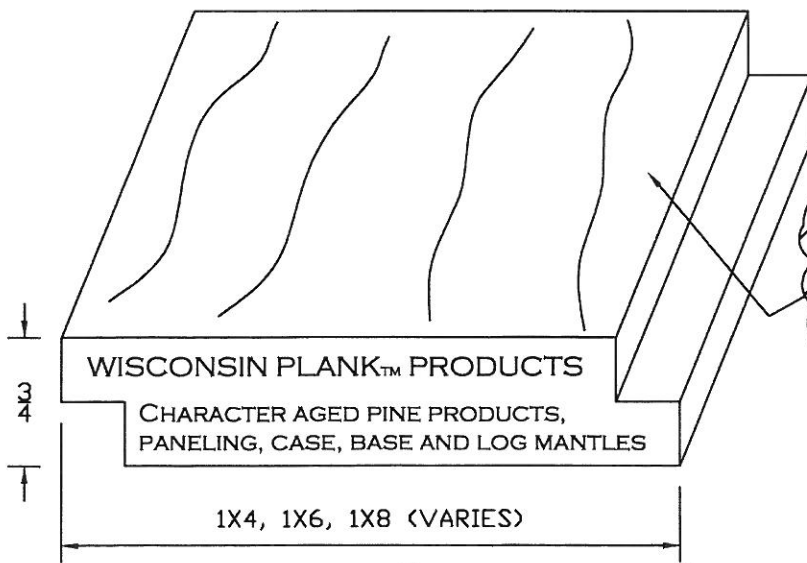
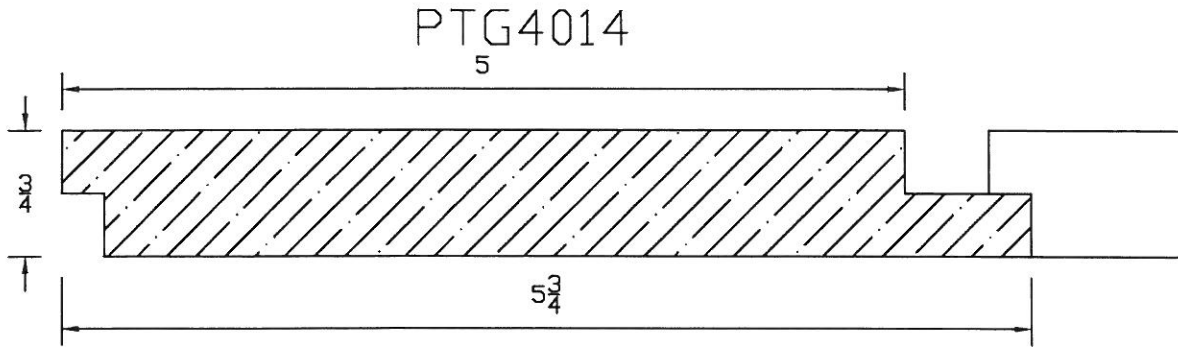


4004

BALSAM MILLWORK PANELING (T.&G.)



All Face Sizes can be modified



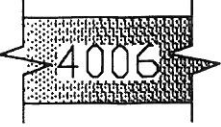
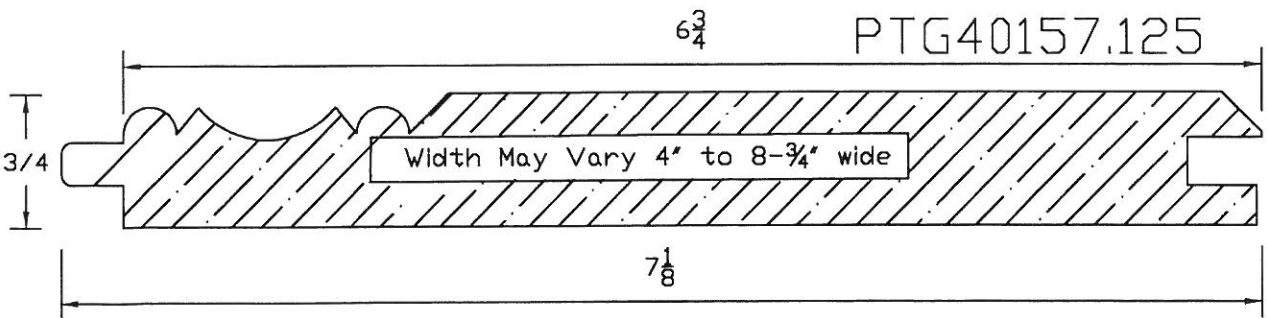
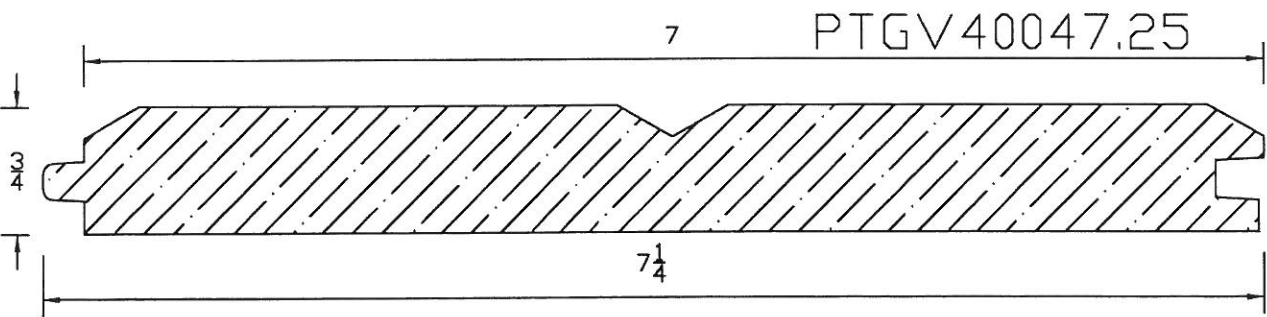
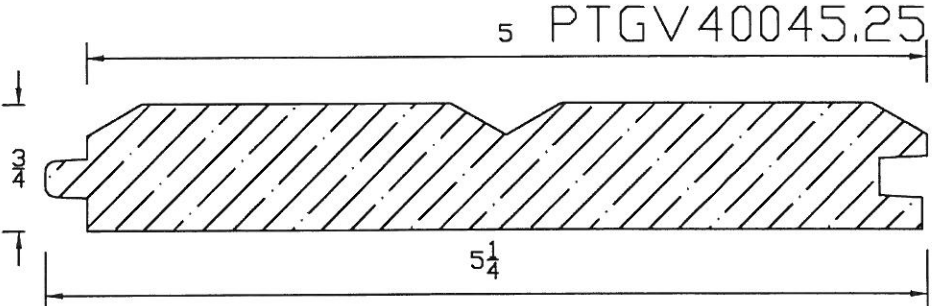
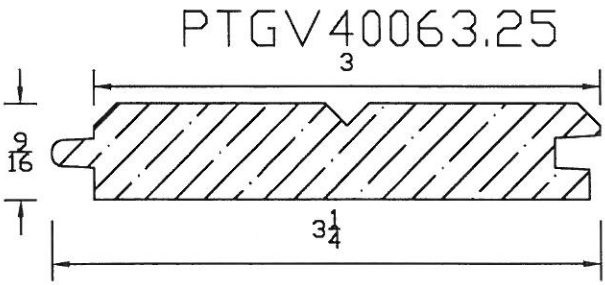
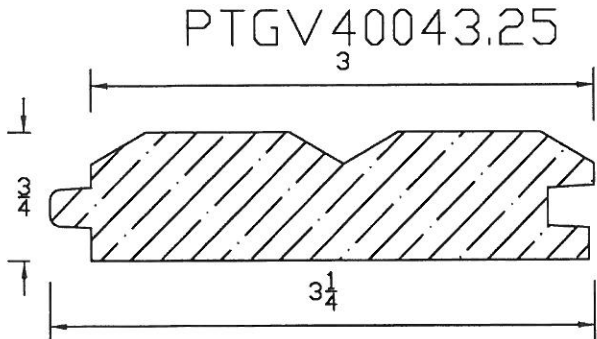
*Now Available
in our T & G*

SEE OUR COLOR BROCHURE FOR ALL OF OUR CHARACTER AGED PINE PRODUCTS. THIS IS A VERY UNIQUE AND DISTICTIVE RUSTIC PINE MATERIAL.

Carriage House™ Character Aged Pine Plank



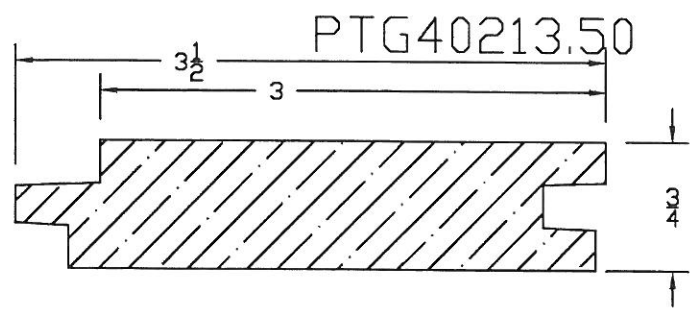
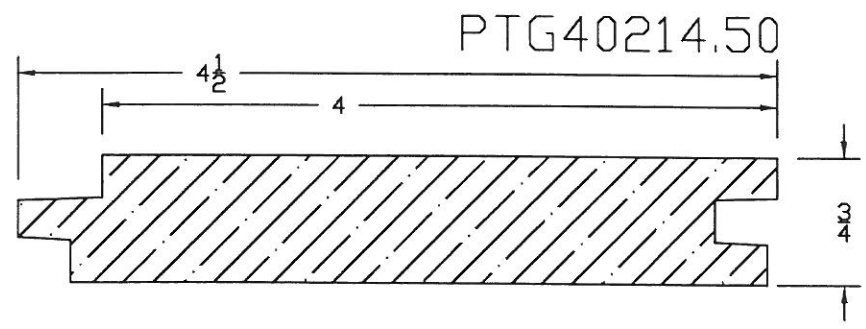
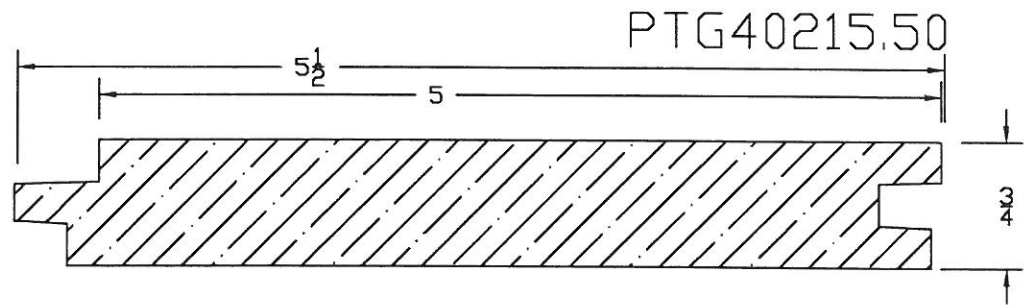
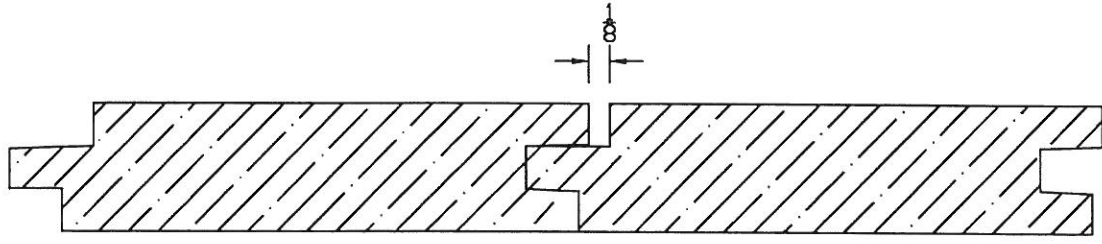
BALSAM MILLWORK PANELING (T.&G.)



Most paneling can be modified for width and thickness

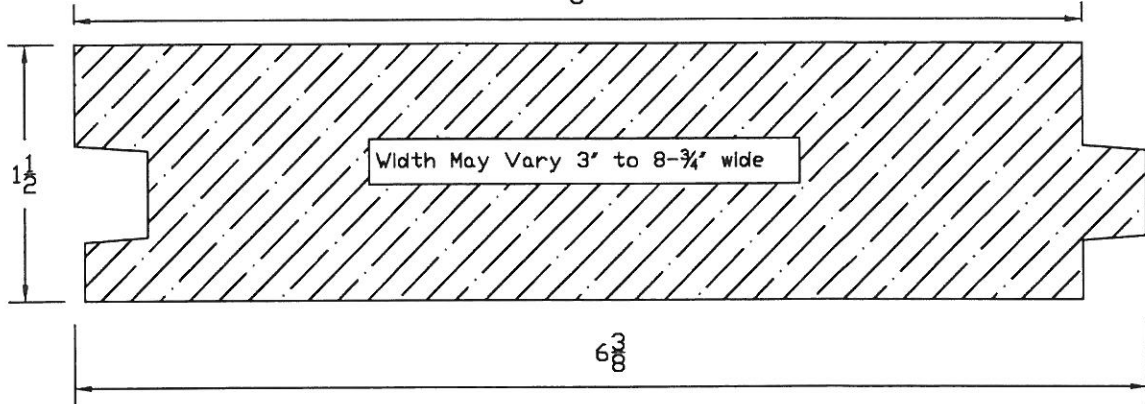
BALSAM MILLWORK PANELING (T.&G.)

PTG4021 OTHER WIDTHS AVAILABLE



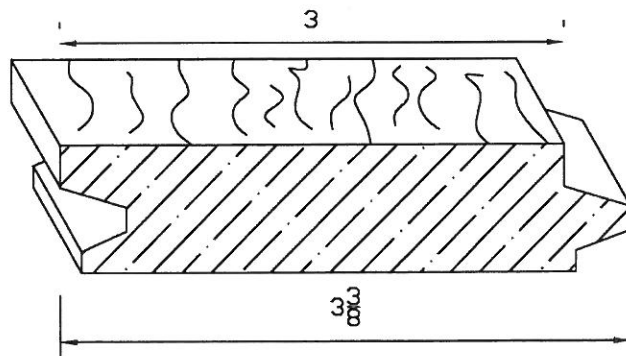
BALSAM MILLWORK PANELING (T.&G.)

PTG4023₆

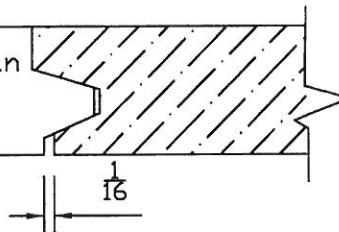


PTG4026
CARRIAGE HOUSE

3", 5", 7" & 8-3/8" FACES
AVAILABLE

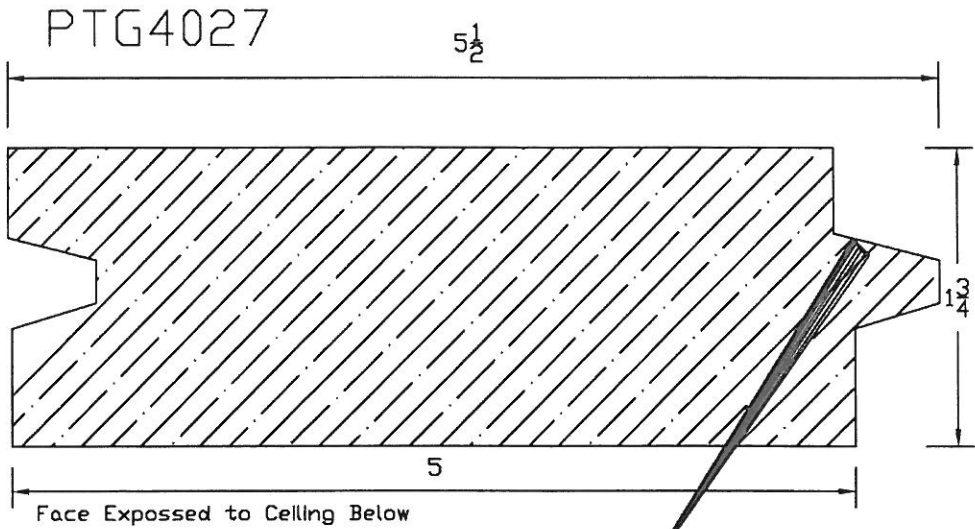


This tongue and groove can
machined on any wood and
any face width



4008

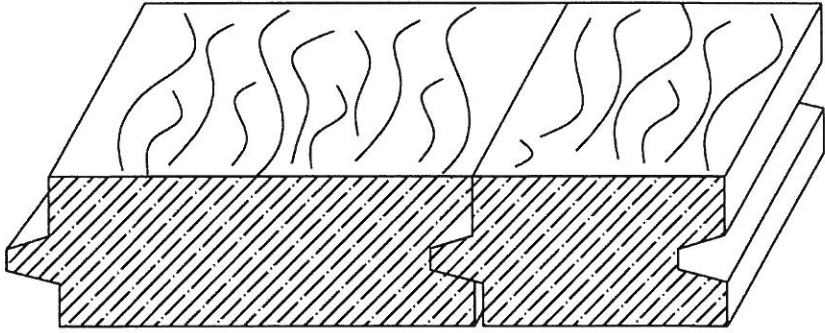
BALSAM MILLWORK PANELING (T.&G.)



New Engineered Toungue for ease of installation and for better nail or screw application

MOUNTAIN PLANK™

(SHOWN BELOW WITH CIRCLE SAWN FACE)
 ALSO AVAILABLE WITH A SMOOTH FACE
 3" TO 8" FACES AVAILABLE



This view upside down, to show character face up. Typical application circular skip sawn face exposed to ceiling below. (Pairs up nice with rough pine or cedar timbers)

