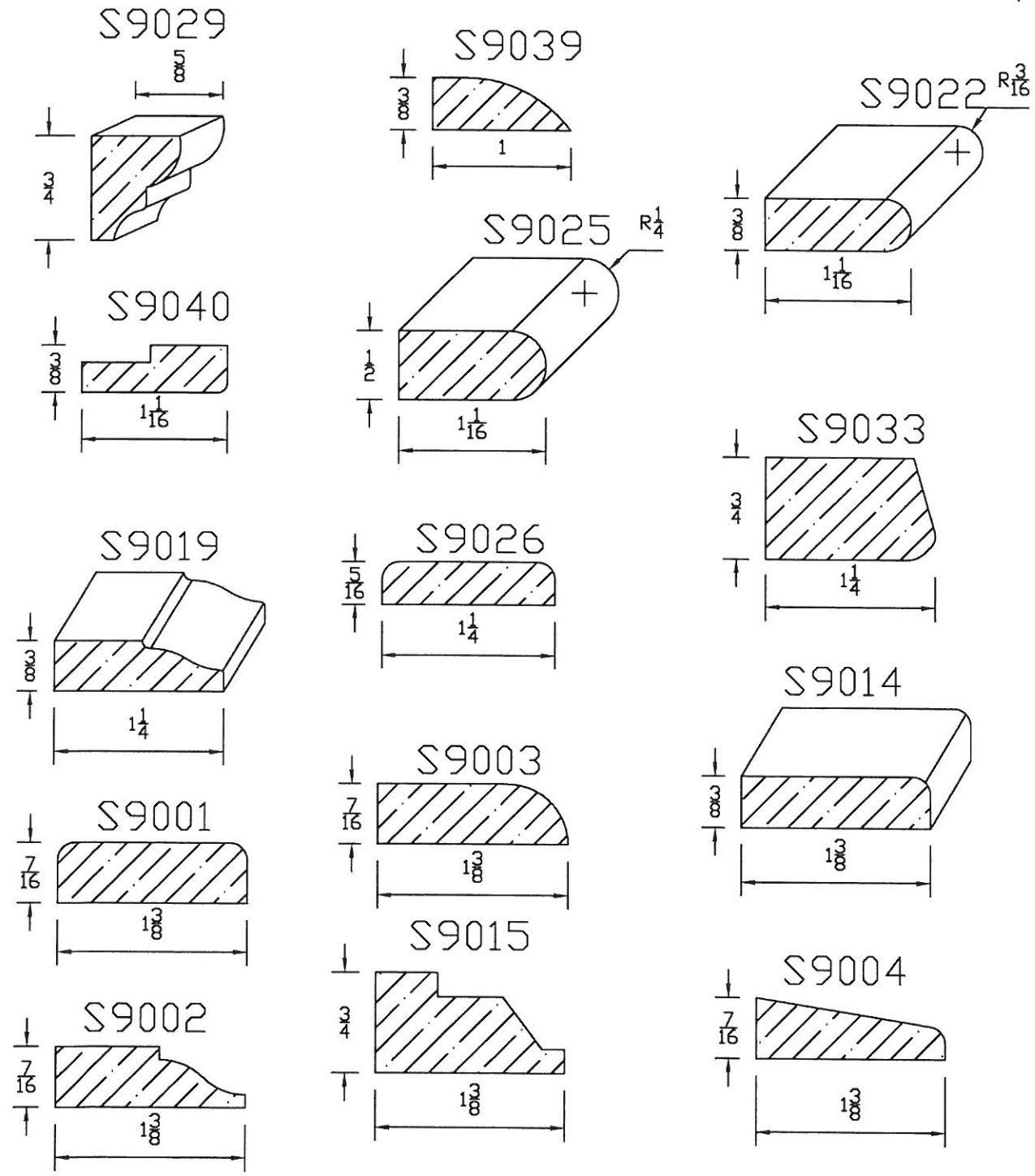
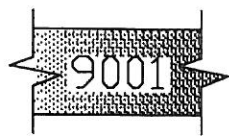


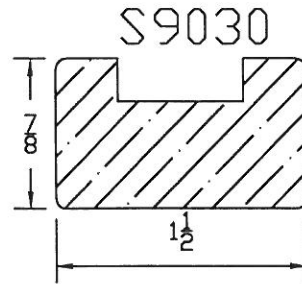
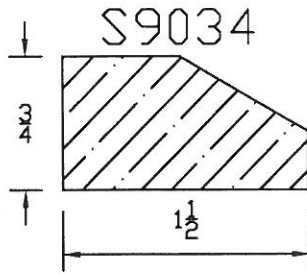
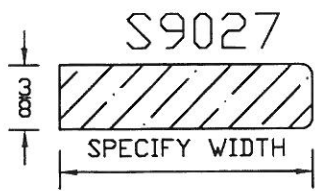
BALSAM MILLWORK MISCELLANEOUS



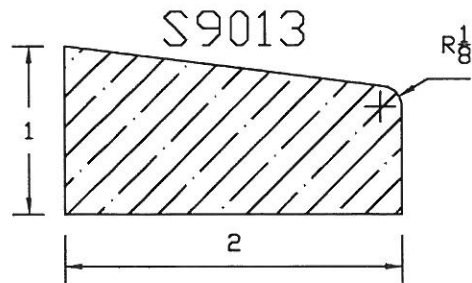
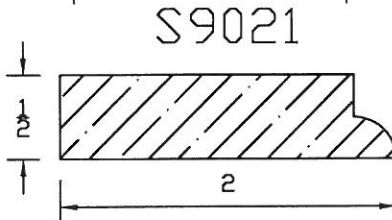
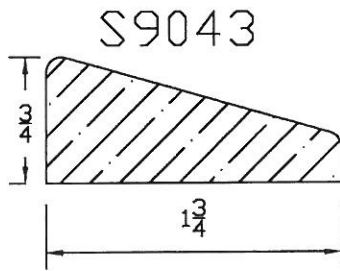
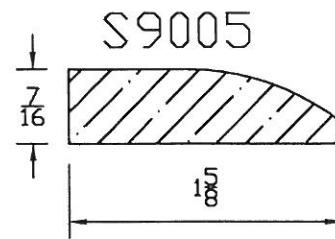
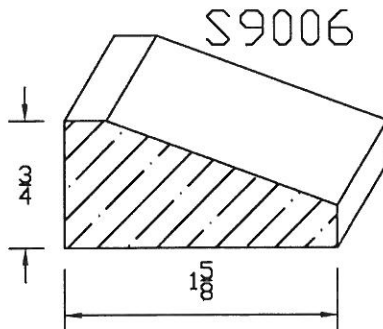
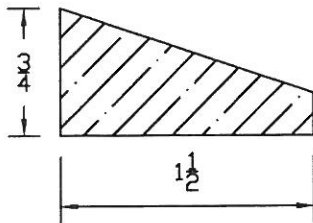
3-D Stocked in up to 17 species



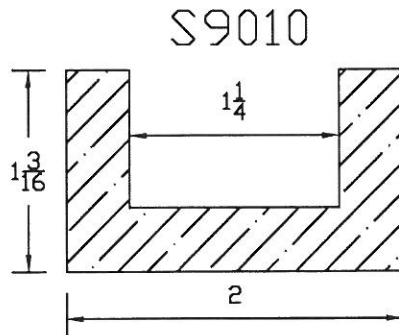
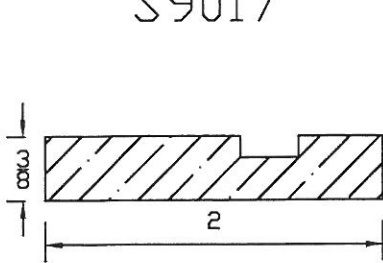
BALSAM MILLWORK MISCELLANEOUS



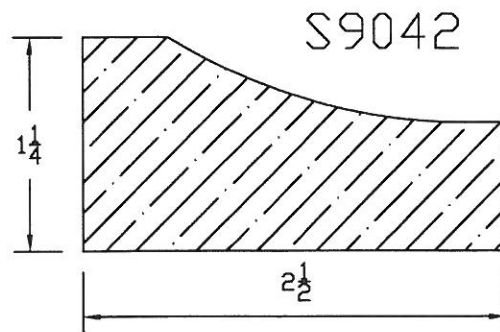
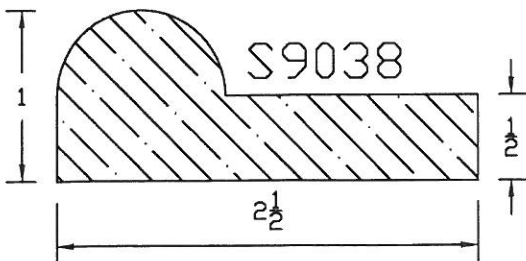
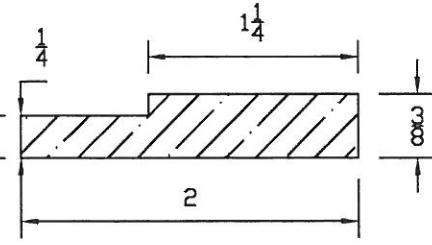
S9007



S9017

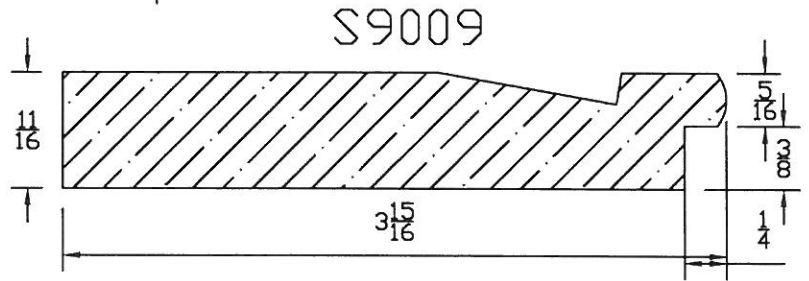
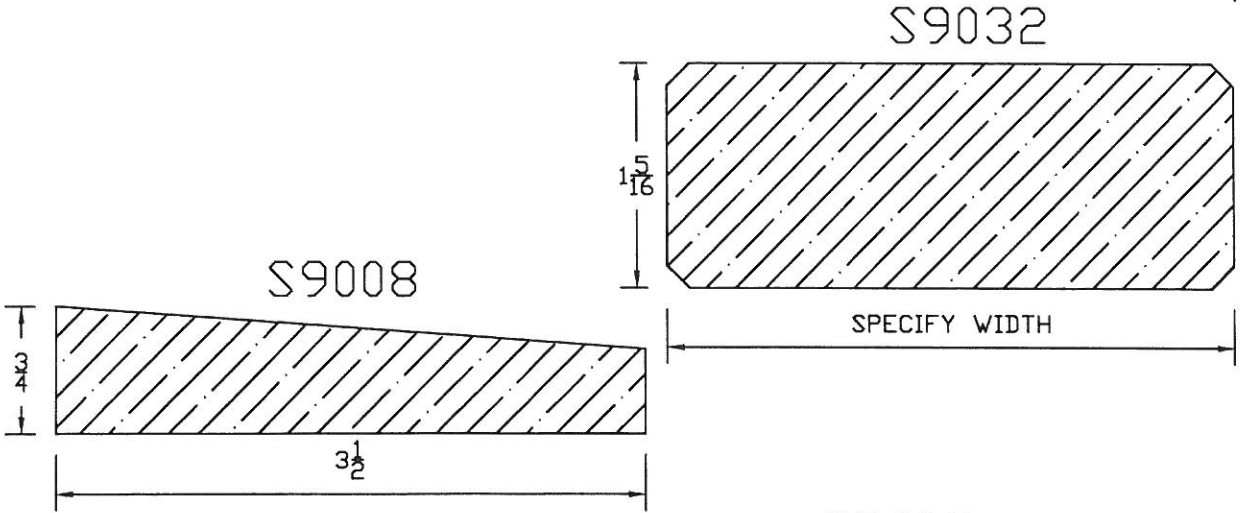


S9018

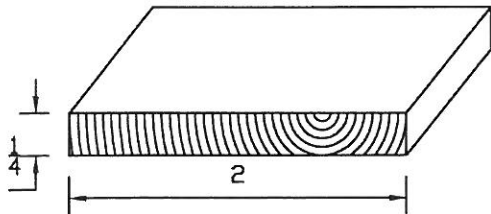


3-D Stocked in up to 17 species

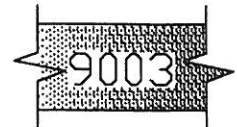
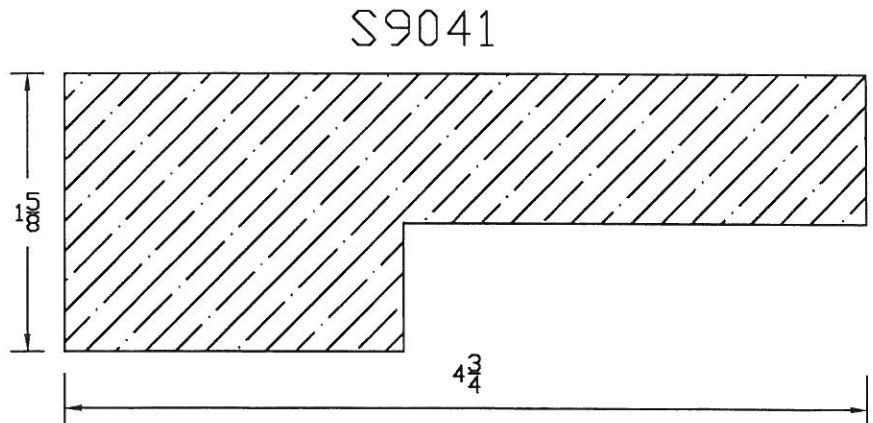
BALSAM MILLWORK MISCELLANEOUS



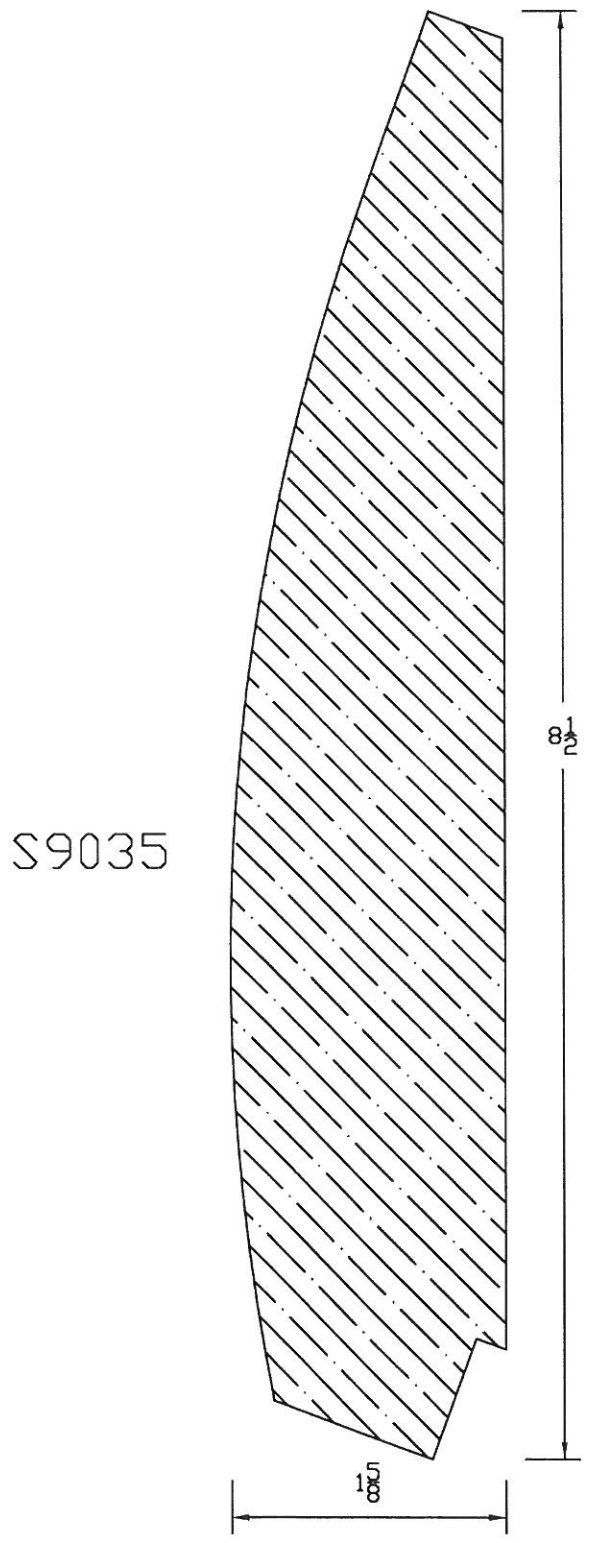
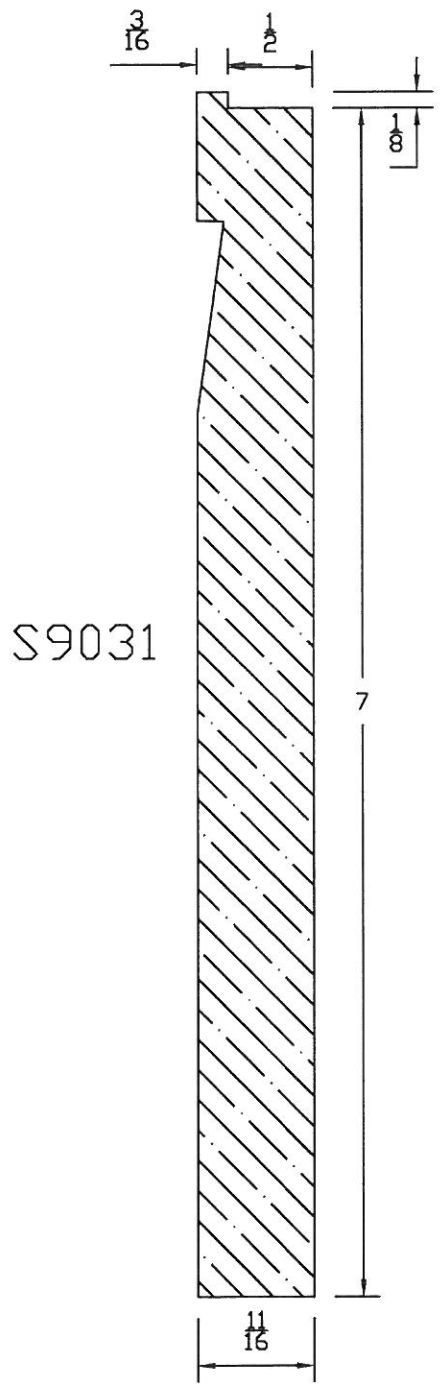
MULLIONS



- M11.00 = 1/4" x 1"
- M11.25 = 1/4" x 1 1/4"
- M11.50 = 1/4" x 1 1/2"
- M11.75 = 1/4" x 1 3/4"
- M12.00 = 1/4" x 2"
- M13.00 = 1/4" x 3"
- M14.00 = 1/4" x 4"
- M15.00 = 1/4" x 5"

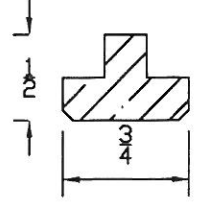


BALSAM MILL WORK MISCELLANEOUS

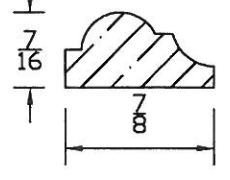


BALSAM MILLWORK MISCELLANEOUS

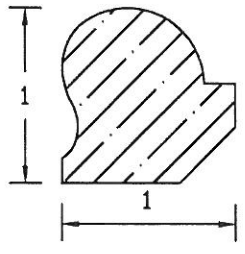
CUST010



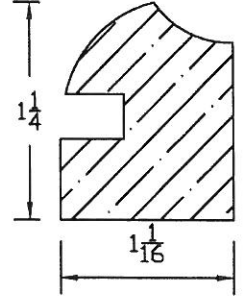
CUST 6



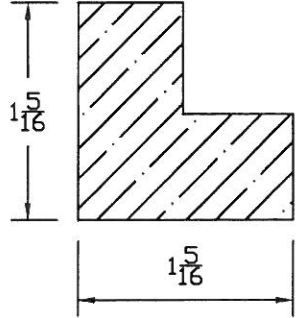
CUST22



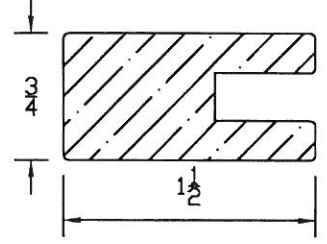
CUST30



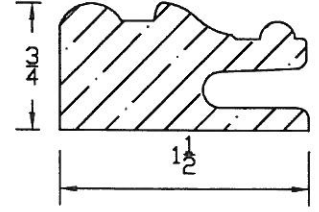
CUST 36



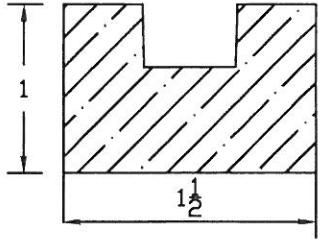
CUST019



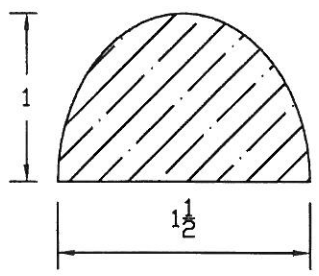
CUST 4



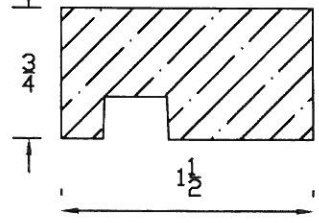
CUST017



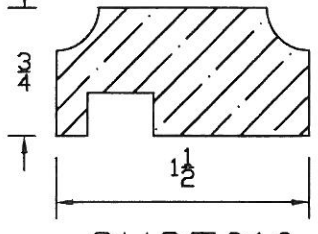
CUST015



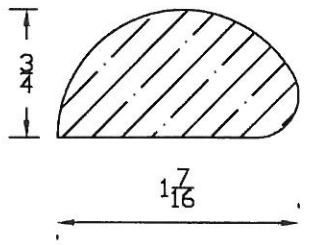
CUST 031



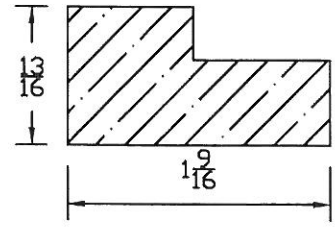
CUST 025



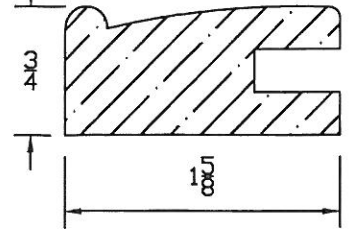
CUST038



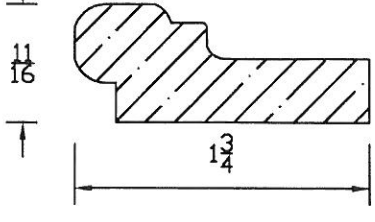
CUST24



CUST010

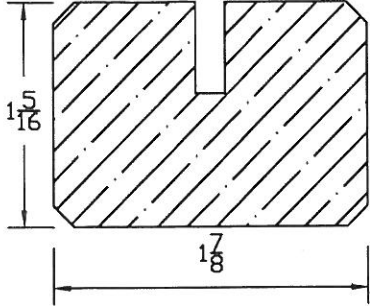


CUST035

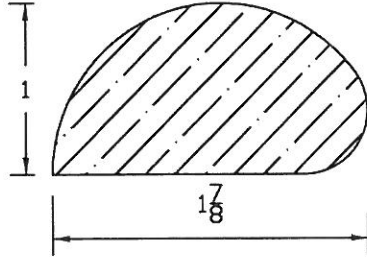


BALSAM MILLWORK MISCELLANEOUS

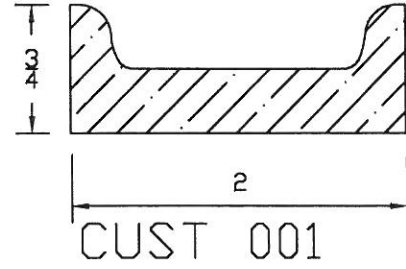
CUST009



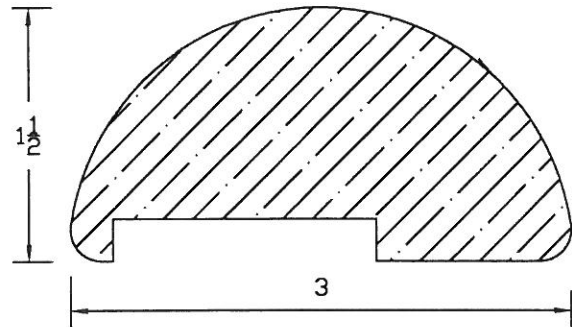
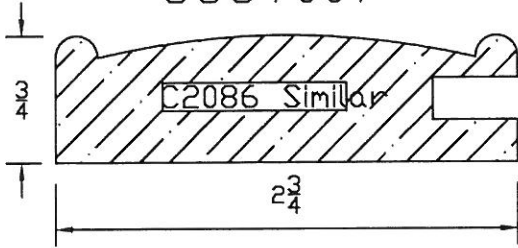
CUST016



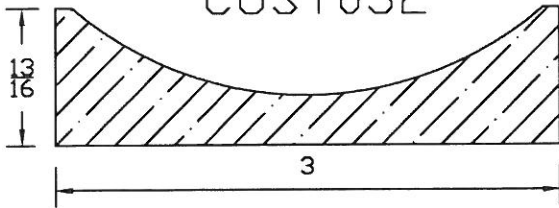
CUST018



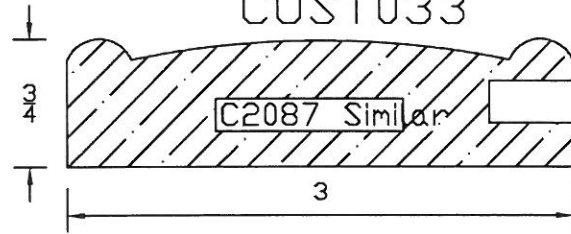
CUST007



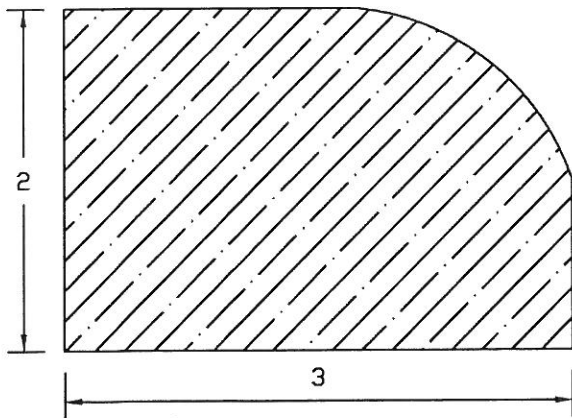
CUST032



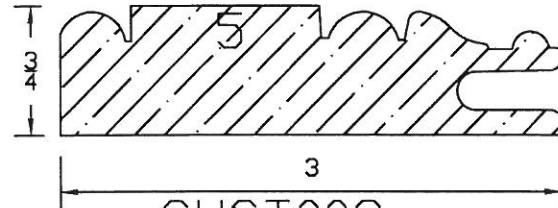
CUST033



CUST037

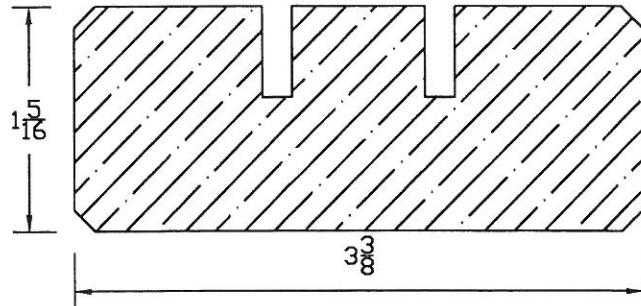


CUST



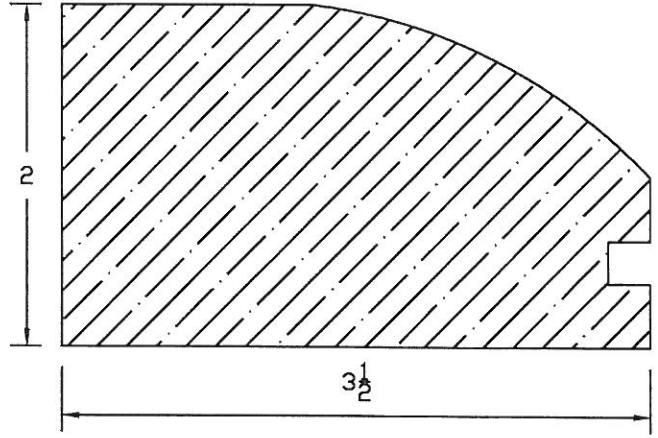
CUST008

9006

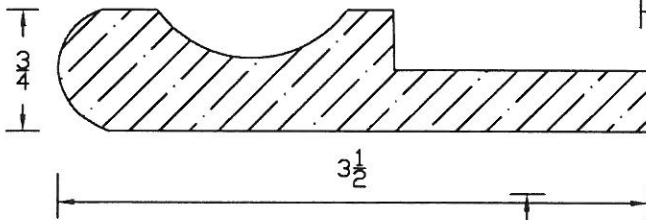


BALSAM MILLWORK MISCELLANEOUS

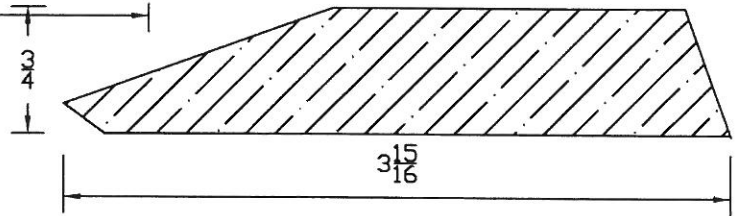
CUST013



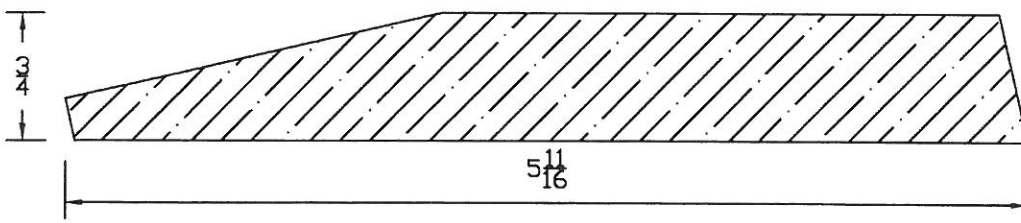
CUST014



CUST020



CUST021



CUST011

